



Multimag TMII

Multijet water meter for residential applications

Multimag TMII produced by PT Mecoido (ITRON - Indonesia), designed to fulfill Indonesia water utility requirement on International quality standar for high accuracy and durable water meter. Multimag TMII complies to :

- » ISO 4064 (and it's derivative)
- » SNI 2547 : 2008
- » CE (European) F-06-G-1328
- » Local contain certificate from Industrial ministry and ;
- » Industrial design certificate

FEATURES AND BENEFITS

- » Multijet velocity meter
- » Direct magnetic transmission
- » Ease of maintenance
- » Outstanding metrology
- » Very high resistance in difficult environments

Reliability

- » 100% of the products are calibrated on electronic test benches.
- » Calibration tests results can be sent for every meter to the customer.
- » Class B (ISO) featuring exceptional performance
- » Adapted to any condition of use in difficult environments

Adaptability

Multimag range enables different configuration for same hydraulic performance, according to different installation conditions or customer requirement.

Plastic register (routable), Class B horizontal position, and body in bronze painted externally compose standard configuration.

Ease of maintenance

The replacement of parts is facilitated by simplicity and reduced number of spare parts.

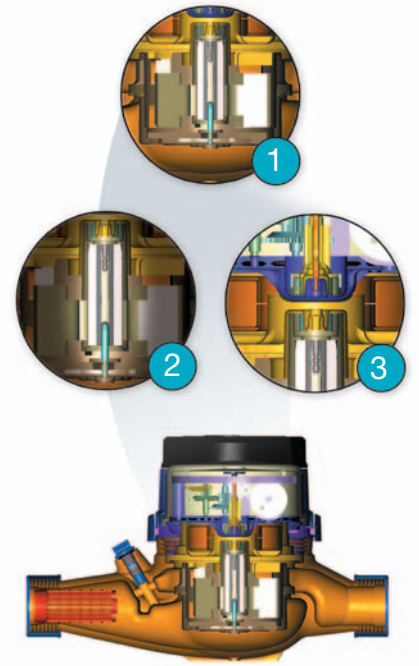
Communication

Pre-equipped for future needs of communication thanks to Cyble™ technology.

TECHNOLOGY

In order to guarantee top metrological performance, the hydrodynamic balance, associated to high-performing hinges, gives the Multimag TMII a very high metering sensitivity and long-lasting metrological performance.

The transmission of information between the turbine and the register is made through a magnetic transmission.



ADAPTABILITY

Multimag TMII meters can be equipped with Cyble™ remote reading interfaces for automatic meter data collection offering:

- » Optimal reading and billing
- » Leak detection
- » Reverse flow detection
- » Fraud detection
- » Study of consumer habits

Cyble™ technology was designed to be adapted on every Itron meter with a pre-equipped register.

Cyble™ technology advantages:

- » Reliability
- » Non sensitive to magnetic fraud
- » Field tested for more than 20 years



Pre-equipped Cyble register



Cyble M-Bus



Cyble Pulse



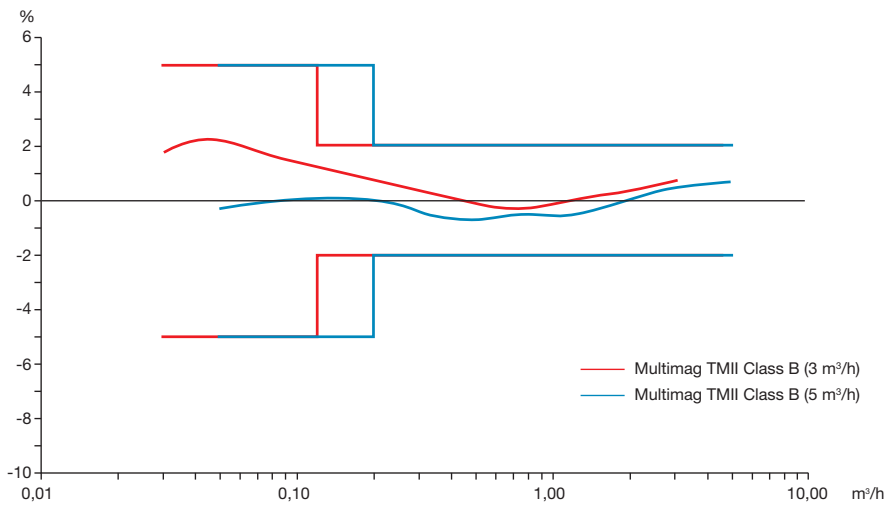
Cyble Pulse

Metrological Characteristics

Meter Capacity	mm inches	15 ½"	20 ¾"
Metrology Class		B	B
Starting Flow rate	l/h	< 10	18
Minimal Flow rate (Qmin)	l/h	30	50
Transition Flow rate (Qt)	l/h	120	200
Nominal Flow rate (Qn)	m³/h	1.5	2.5
Extra Multimag flowTMIII (Qextra)	m³/h	3.0	5.0
Max. admissible temperature	°C		30
Max. accidental temperature	°C		50
Max. admissible pressure	bar		16
Pression loss group at Qmax	bar		< 1.0
Indicating range	m³		9999*
Minimum scale interval	L		0.02

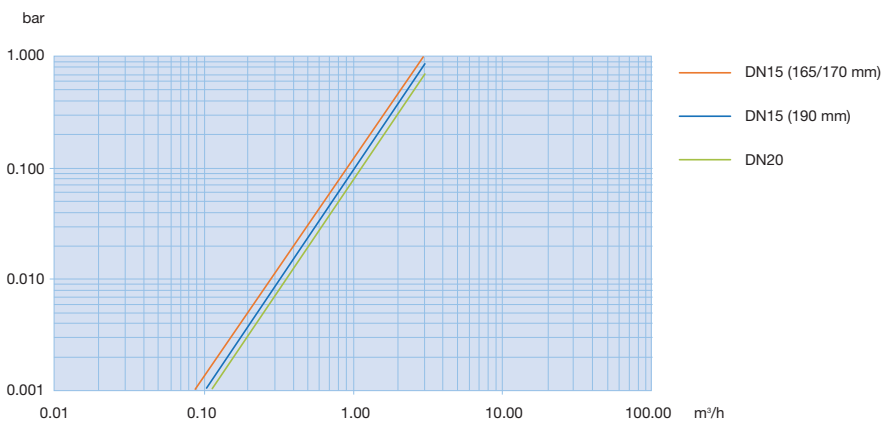
* Optional 99999

TYPICAL ACCURACY CURVE



Residential range

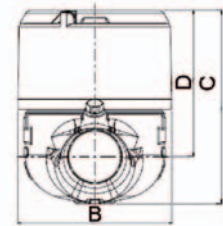
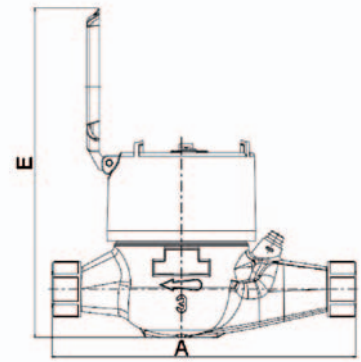
HEAD LOSS



Commercial and Industrial range

Dimensions

Nominal diameter (DN)	mm	15	20
Threads	mm	20x27	26x34
Lengths	inches	G ¾" B	G 1" B
A	mm	165-170-190	190
B	mm	80	80
C	mm	70	70
D	mm	100	100
E	mm	120	120



OPTIONS

In addition to the standard register, we also offer two registers options.

Inclined register

- » Designed for wall cases
- » Easy to read
- » Hermetical cover

Copper can glass register

- » Designed for installations in cases on the ground or those subject to intermittent flooding
- » Tamper-proof hermetical cover
- » High mechanical resistance



LK-094-IDN



Our company is the world's leading provider of smart metering, data collection and utility software systems, with over 8,000 utilities worldwide relying on our technology to optimize the delivery and use of energy and water.

To realize your smarter energy and water future, start here: www.itron.com

For more information, contact your local sales representative or agency:

ITRON WATER METERING

PT Meccoindo
EJIP Plot 6B-2
Lemah Abang, Bekasi 17550
West Java, Indonesia

Phone: +62 21 897 0270

Fax: +62 21 897 0271